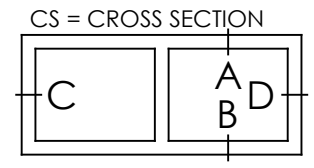
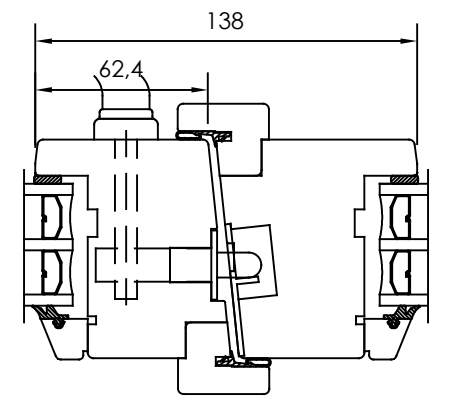
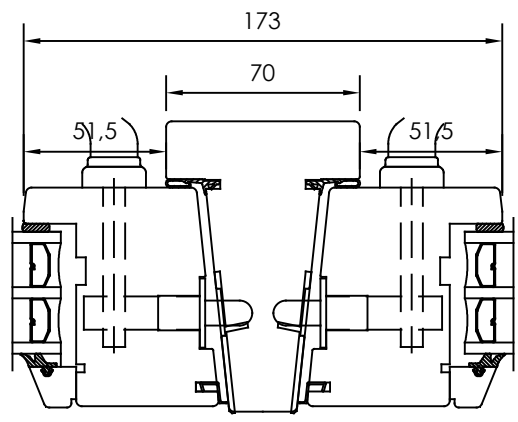
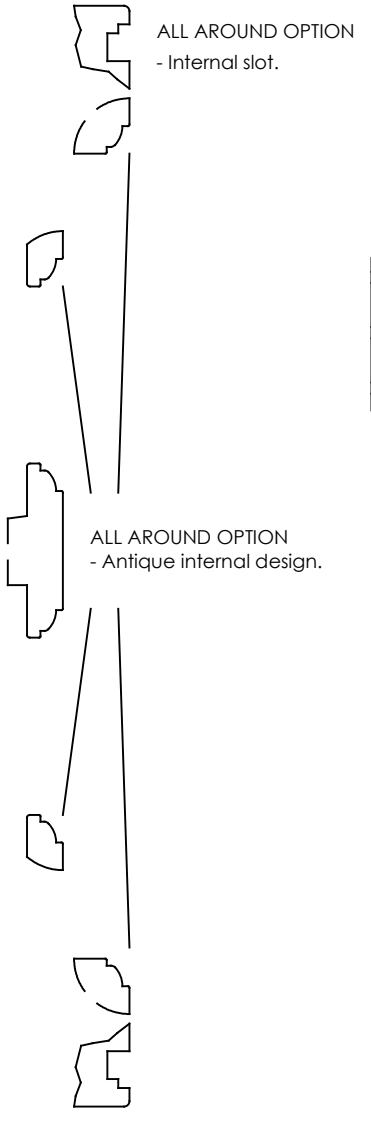
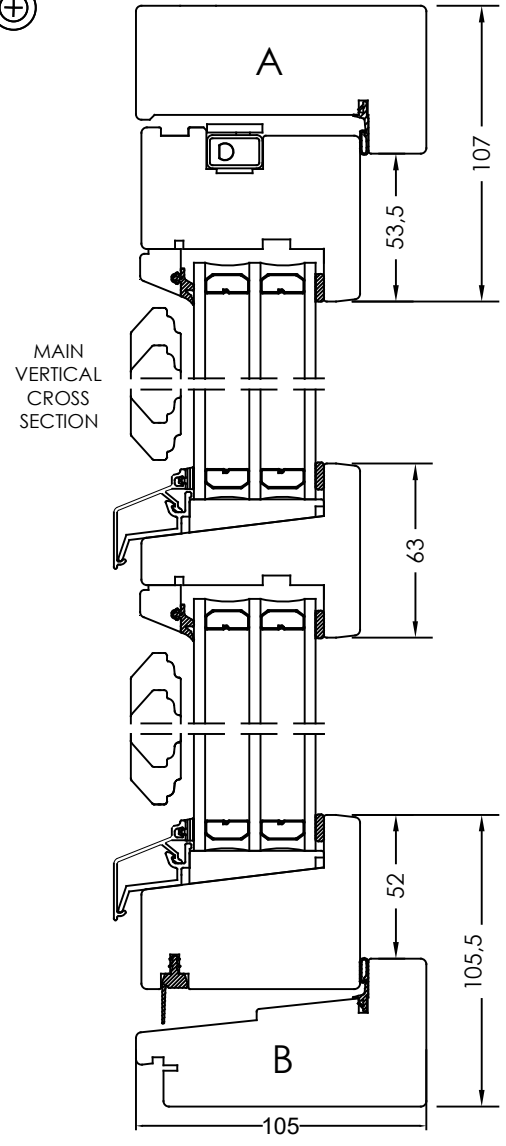
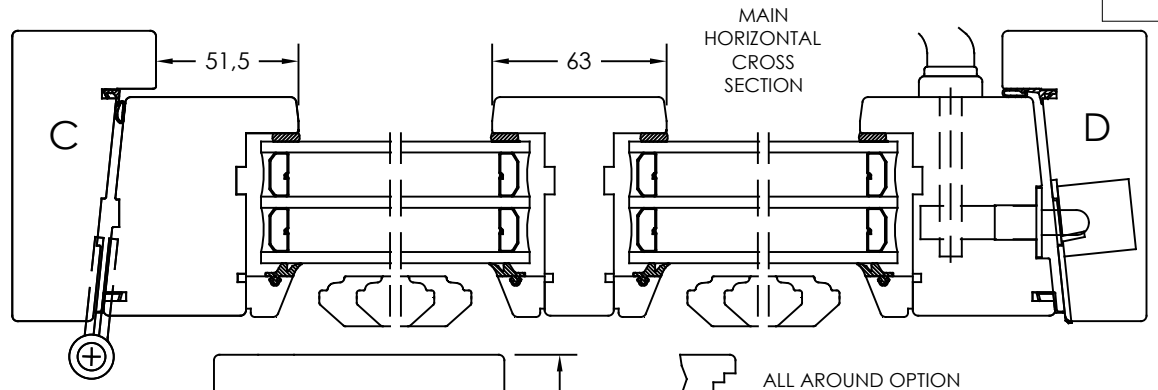


Rev	Description	Rev. by	Date



Designed by JB	Designed date 2023-03-25	Product Category Window Outward	Processing Code
Approved by JB	Approved date 2023-11-30	Product Type Side Hung	Material
	Sidhängt 3-glas Trä, glaslist 44 Sidehung 3-glass Trä, glazing bead 44		Tolerances unless otherwise specified ISO 2768-1 m
			Article Number 61-37-S021
			Drawing Number 61-37-S021
			View orientation
			Scale 1:1
			Revision A

We reserve all rights in this document and in the information contained therein. Reproduction, use or disclosure to third parties without express authority is strictly forbidden. INWIDO